



Parts and Operators Manual

STM Super Flail 30" Electric Clutch Model

Issue 3 - September 2016

S T M Company Limited

Tel: 01789 488450 • Fax: 01789 488032 • Email: sales@st-mach.com • www.st-mach.com

STM Super Flail 30"

BELT ADJUSTMENTS

To adjust either the engine-driven belt or gearbox drive belt, remove the guard (4)

Engine-driven belt

Electric Clutch models: tighten nut to keep washer level with face of endplate [see figure 2]

Do not over-tension!

Gearbox belt

Slacken bearing lockbolts (58) and corresponding lockbolts on bottom bearing.

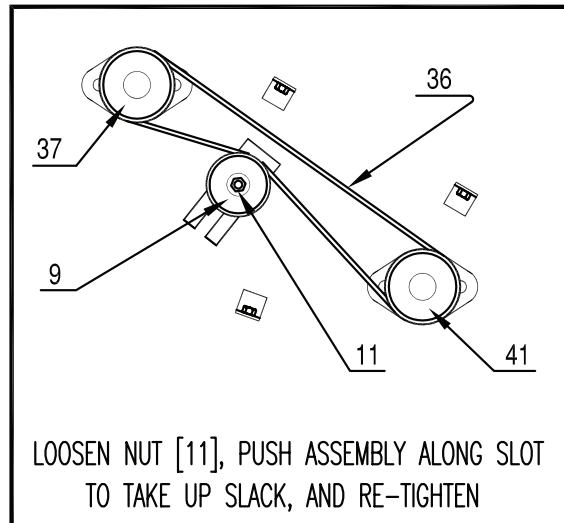
Adjust twin pulley by means of screw (97). Do not over-tighten!

Tighten all bearing bolts and locknuts and re-fit guard.

Twin rotor drive belts

Remove guard (7), slacken locknut (11) in centre of flat pulley (9), and pull up by hand. Tighten locknut. (See illustration below). **Do not over-tension belts!**

fig 1



BELT REPLACEMENT

Engine-driven belt

Electric Clutch models:

Remove guard (4): Undo and remove nut, washer and spring shown in illustration below. This slackens off the electric clutch pre-tension mechanism.

Take out the four countersunk bolts (60) and bearing bolts (58).

Remove bearing plate (57), slacken bottom bearing bolts (58) and slacken back twin pulley (56).

Replace belt and re-fit the bottom and top bearing bolts in reverse order.

Re-assemble belt tensioner: spring, then washer and finally tighten the nut until the washer is level with the face of the endplate. [See illustration]

This will give the required tension for the electric clutch.

STM Super Flail 30"

BELT REPLACEMENT *Electric Clutch models: [continued]*

fig 2

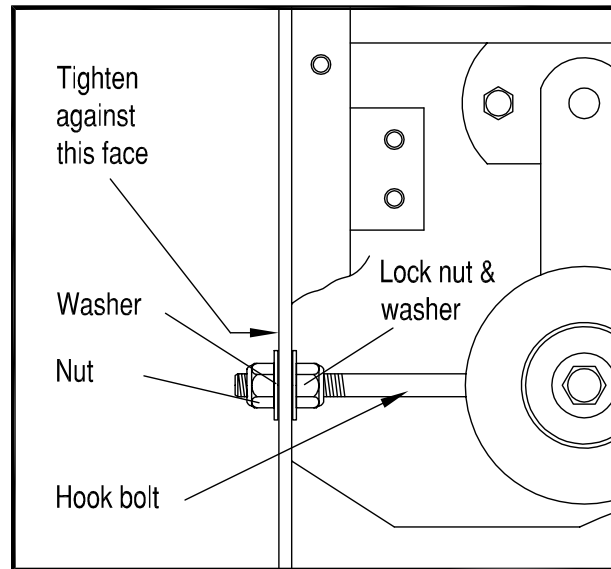


Illustration for pre-tensioning pulley on Electric Clutch models

BELT REPLACEMENT *[Engine driven belt]....continued*

Non-Electric Clutch models:

Remove guard (4): take out the four countersunk bolts (60) and bearing bolts (58).

Remove bearing plate (57), slacken bottom bearing bolts (58) and slacken back twin pulley (56).

Replace belt and re-fit in reverse order.

Check belt tension is correct - DO NOT OVER-TIGHTEN!

Rotor belts

Remove guard (7), slacken adjuster pulley (9) to bottom of slide and remove belts.

ALWAYS REPLACE THESE BELTS IN PAIRS.

Adjust belt tension as above and refit guard.

LUBRICATION

Gearbox

Remove level plug and fill through plug hole with gear oil EP80/140

Bearings

Nos 95 (2 off) and 3 (3 off) - give 2 or 3 shots with a hand-held grease gun every 500 hours.

DO NOT OVER-GREASE

Caster wheels: (swivel and axle nipples) - lubricate every 12-14 hours.

STM Super Flail 30"

Drawing ref	Part No.	Description
1	10218	Belt (Gearbox)
2	10002	Belt (Engine)
3	10003	Bearing LFTC25A
4	10004	Guard
5	10226	Guard
6	10225	Guard
7	10007	Guard
8	10470	Adjuster block
9	10009	Pulley
10		
11		
12	10012	Pulley
13	PL	Spring washer - 8mm
14	PL	Hex nut - 8mm
15	PL	Bolt
16	PL	Nyloc nut
17	10013	Gearbox
18	46079	Caster assy complete (inc. 19-28)
19	04066-01	Quick pin
20	43037-01	1/2" Spacer (Caster yoke)
21	48100-01	Bronze bearing
22	48114-04	Grease nipple
23	10014	Support assembly (inc. 21 & 22)
24	45006	Caster yoke
25	43022	Sleeve (Caster wheel bearing)
26	04001-37	Bolt
27	04021-07	Hex locknut: 1/2" x 13
28	48307	Wheel assy (inc. 13-14 & 29-34)
29	481774	Tyre only (Caster wheel)
30	481772	Rim only (Caster wheel)
31	481770	Bearing retainer (Caster wheel)
32	481769	Roller bearing (Caster wheel)
33	48114-03	Grease nipple
34	481768	Hub assy - inc. Bolts
35	481773	Inner tube only (Caster wheel)
36	10015	SPZ Belts
37	10016	Pulley
38	PL	Bolt: M8 x 30mm
39	10117	Taper hub lock
40	PL	Washer: 10 x 21

STM Super Flail 30"

Drawing ref	Part No.	Description
41	10019	Pulley
42	PL	Bolt
43	PL	Shakeproof washer
44		
45	10021	Shaft
46	10022	Skid
47	PL	Bolt M8 x 30mm
48	PL	Nut M8
49	10223	Rubber flap (front) 34" x 5"
50	PL	Hex nut: 3/8"
51	PL	Spring washer 3/8"
52	10222	Flap retainer
53	PL	Bolt: M8 x 20mm
54	PL	Spring washer: 8mm
55		
56	10026	Twin pulley
57	10027	Bearing plate
58	10028	Bolt
59	04050-02	retainer ring
60	10029	Bolt
61	48100-05	Bronze BRG
62	PL	Bolt: M6 x 20mm
63	PL	Spring washer: 6mm
64	10219	Flail head (cowling only)
65	10031	Bolt
66	10220	Flail shaft assembly: Twisted flails
67	46081	Idler arm
68	PL	Washer: 3/8 x 2"
69	44101	Eye bolt
70	48807	Spring
71	PL	Washer: 24 x 10 x 3
72		
73	43063	Sleeve
74	PL	Bolt: 3/8 x 3"
75	10043	Idler pivot
76	10239	Pulley assy inc. bearing & bush
77	10178	Rear flap
78		
79		
80		

STM Super Flail 30"

Drawing ref	Part No.	Description
81		
82		
83	009275	Flat free caster assy
84	10221	Flail shaft assy: back to back flails
85	10036	Single back to back flail (48)
86	10037	Single twisted flail (24)
86a	10082	Single twisted flail long
87	10038	Shaft
88	PL	Flat washer
89a	12615	Coach bolt / nut
89	10039	Bolt (special)
90	10040	Nut (special)
91	10041	Grass guard
92	10227	Grass guard (slotted)
93	10224	STM decal
94	PL	Bolt: 5/16 x 3/4"
95	PL	Nut: 5/16"
96	10044	bearing (shaft)
97	10045	Taper hub lock
98	10490	Bearing (shaft)
99	PL	Bolt
100		

PL - Purchase Locally